

# INK JET PRINTER

# HITACHI

Inspire the Next

Continuous Ink Jet Printer for Industrial Marking

## Hitachi IJ Printer **PB model**

with Large Liquid Crystal Touch Panel (8.9 inch)

**User-friendly !**

**Cost performance !**

**Light & Small !**



# Hitachi IJ Printer PB model

## More Reliability

- Full protection against dust and water jets in harsh environment. [IP45 (Test Specification:IEC60529:2001)]
- New viscosity control and current ink density control help to achieve stable drop formation and high quality printing.
- Improved ink circulation system provides more stable ink return.
- More wide operating temperature 0–45°C (JP-K67 ink).

## Integration of high-tech and state-of-the-art design

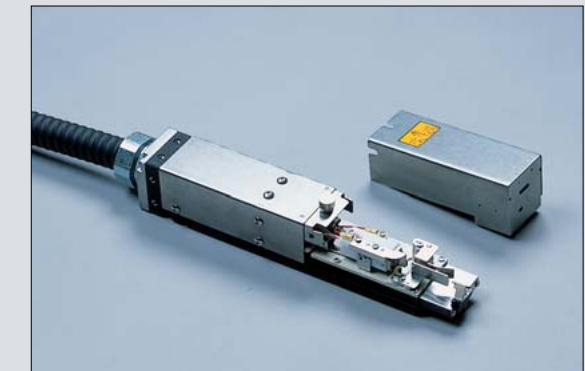
- Easy and quick operation by large liquid crystal display and touch panel (8.9 inch).
- Nozzle and gutter are automatically cleaned before stopping.
- Small footprint and light.
- Solvent evaporation reduced by the ink return system which confines the mixing of air and ink.
- Basic printing functions are available. [Creation of user pattern, bold printing, etc.]
- Various coding functions are available. [Date/ time automatic update, numbering, etc.]
- User-friendly coding functions are available. [Recall/ save print message, repeat print, product speed matching, etc.]
- Help functions are available. [User help messages, log management, password, etc.]



Ink jet printing is carried out by electronically controlled ink drops to ensure perfect printing positioning.

## Easy maintenance

- Easy replacement of ink filter by developed ink system.
- Strong printhead.



# Hitachi IJ Printer PB model

1 Line (5 x 7)	Different font mixed (12 x 16 , 5 x 7)	2 Line (7 x 10)
USE BY 04.03.20 LOT.NO.0123456789	IJP HITACHI 0123456	USE BY 03.06.20 MFG.NO.04.03.25
MFG.NO.04.08.20 HITACHI		

Bold (5 x 7)	Bold (7 x 10)	Logo (7 x 10)
5x7 DOUB	7x10 DOUB	Ⓜ Ⓝ Ⓟ Ⓠ Ⓡ

## Standard Specifications : PB model

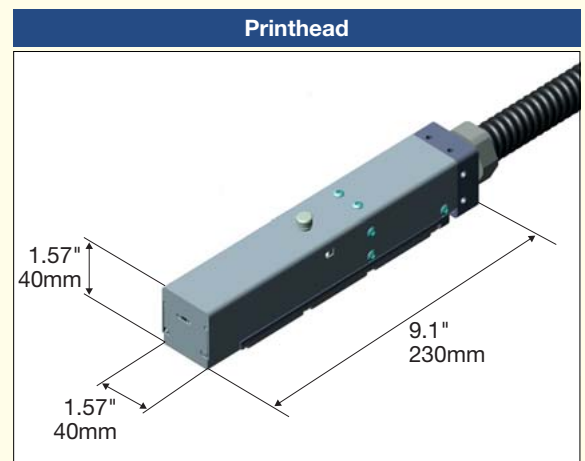
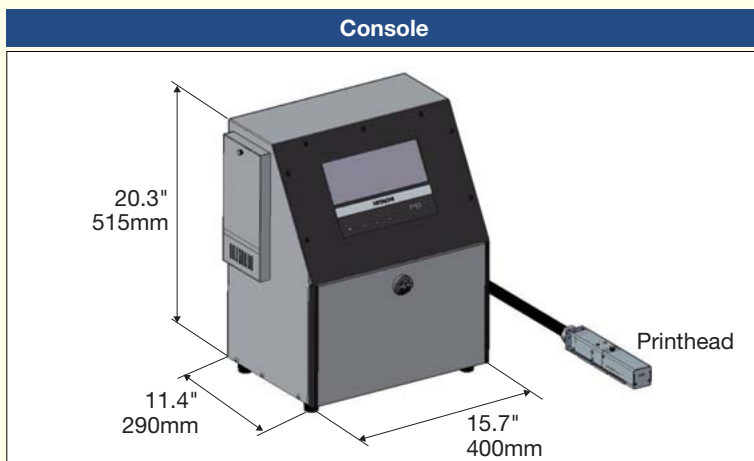
Printing specifications	
Model	PB-260A
Nozzle size	65 µm
Max. print line number	Up to 2 Lines
Maximum number of print characters (each line)	1 Line : Up to 120 characters 2 Line : Up to 60 characters
Fonts (Horizontal x vertical)	1-2 Line : 5 x 8 (or 5 x 7), 7 x 10, 1 Line : 12 x 16
Character height	1 Line : 2–8 mm / 2 Line total height : 4.5–8 mm
Display & input device	Display : Liquid crystal display (8.9 inch, monochrome), back-light provided Input Device : Touch panel, input sound provided
Screen language	English
Maximum print rate	Up to 821 characters/s (Font 5 x 7, space 1, 1 line)
Standard characters	Alphanumeric (A–Z, a–z, 0–9), symbols (27), space : Total 90
Number of user pattern registration	Each dot matrix 40 characters
Print functions	Calendar, counter, message storage (48 messages), bold (9 times), encoder function, repeat print, dot mixture, etc.
Input signal	Print object detection, rotary encoder pulse
Output signal	Print ready, fault, warning (open collector signal)

General specifications			
Printhead cable length	3 m	Operating temperature range	0–45°C (JP-K67 ink)
Power supply (Automatic Voltage selection)	AC 100-120 / 220-240 V±10 % 50/60 Hz 150 VA	Humidity range	30–90 % R.H.* (no condensation)
Cabinet	Stainless Steel / IP45	Overall size (width x depth x height)	400 x 290 x 515 mm
Approval	CE, C-Tick	Approximate weight	25 kg

\*Note : When humidity is more than 85 % RH, please purge inside of print head by dry and clean air.

Information in this brochure is subject to change without notice.

## Dimensions of Console and Printhead



\*1. Hitachi Industrial Equipment Systems Co.,Ltd. (Hitachi) shall not be liable for any manufacturing loss, or any product damage due to trouble or malfunction of the ink jet printer.

\*2. Hitachi continually improves products. The right, therefore, is reserved to alter the design and/or specifications without giving prior notice.

For further information, please contact your nearest sales representative.



Registration number: JACO-EC99J2009  
 Registration date: July 22, 1996



Registration number: JQA-QMA12087  
 Registration date: April 1, 2005